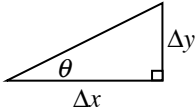
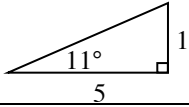


Trig Table Toolkit

Angle	Slope triangle	Approximate slope ratio as a fraction and a decimal
θ°		$\frac{\Delta y}{\Delta x}$
0°		
8°		
11°		$\frac{1}{5} = 0.2$
18°		
22°		
45°		
55°		
68°		
70°		
72°		
79°		
83°		
84°		
89°		

Note: Angle measures are rounded to the nearest degree.